

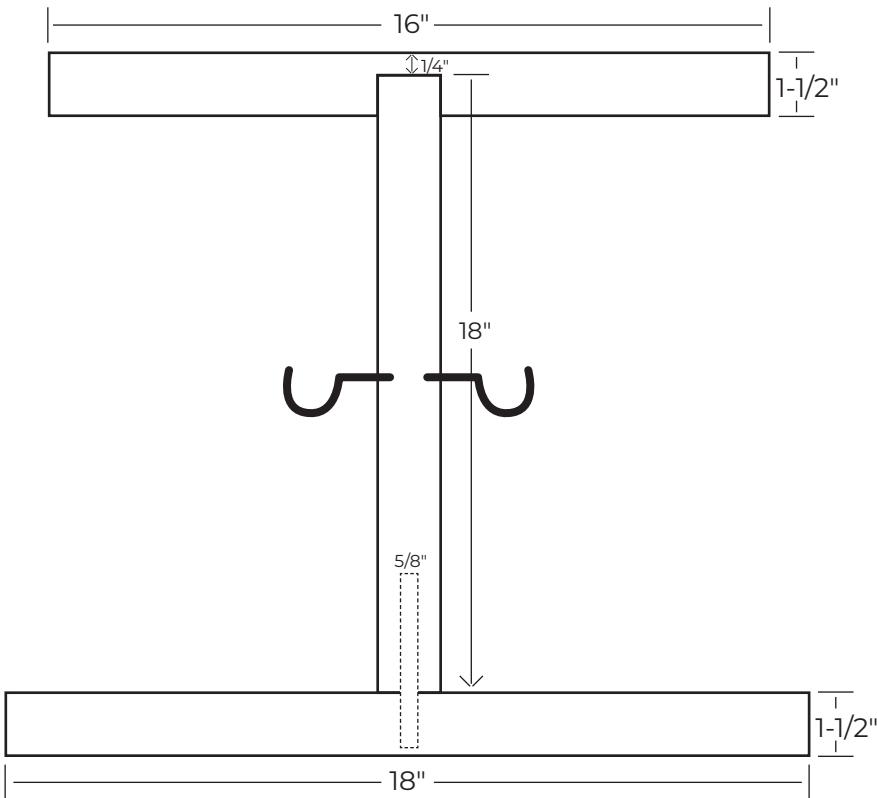


## SIMPLE TABLE SAW

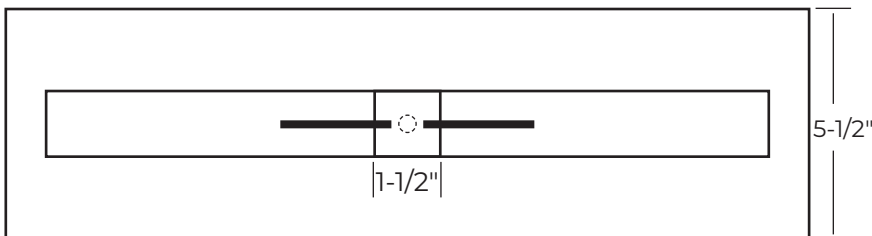
### Table Top Ring Game

Put this out at your next BBQ, party, or family gathering. Simple and easy to play. Directions say Maple but most any wood can be used.

Front



Top



#### Tools & Materials:

- Drill Press
- 5/8" Drill Bit
- 1/8" Drill Bit
- Table Saw
- Center Punch

#### Materials List:

Material	Quantity
2x6 Maple	18"
2x2 Maple	34"
5/8" Dowel	1 Dowel
Titebond Wood Glue	1 Bottle
Hooks	2
Rings	2 Any Type
String/Twine	2'

#### Build Instructions:

1. Start by cutting the 2x2 Maple into one 18" length and one 16" length.
2. Cut a 18" piece of the 2x6 Maple.
3. On the 16" length mark a two lines 3/4" on either side of center.
4. Use your table saw to create a dado between the two lines to a depth of 1-1/4"
5. In one end of the of the 18" 2x2 drill a 5/8" wide hole in the center to a depth of 3"
6. On the 2x6 base piece. Drill a 5/8" wide hole dead center to a depth of 1"
7. Cut a 4" length of 5/8" dowel and with glue, use it to attach the 18" piece to the base.
8. Before attaching the top 16" piece, drill a 1/8" hole on each side to thread the string through. Attach the top with glue.
9. To finish, install your hooks and and tie your rings on.