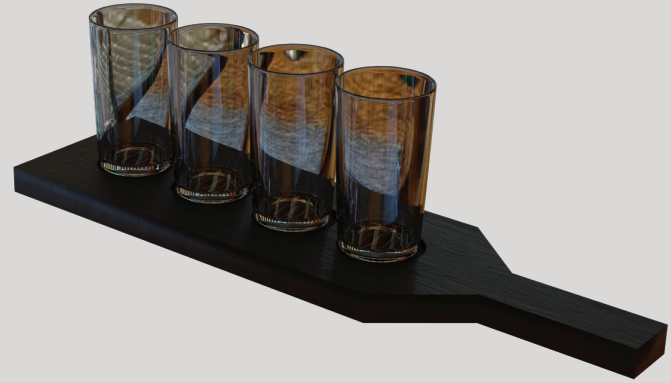
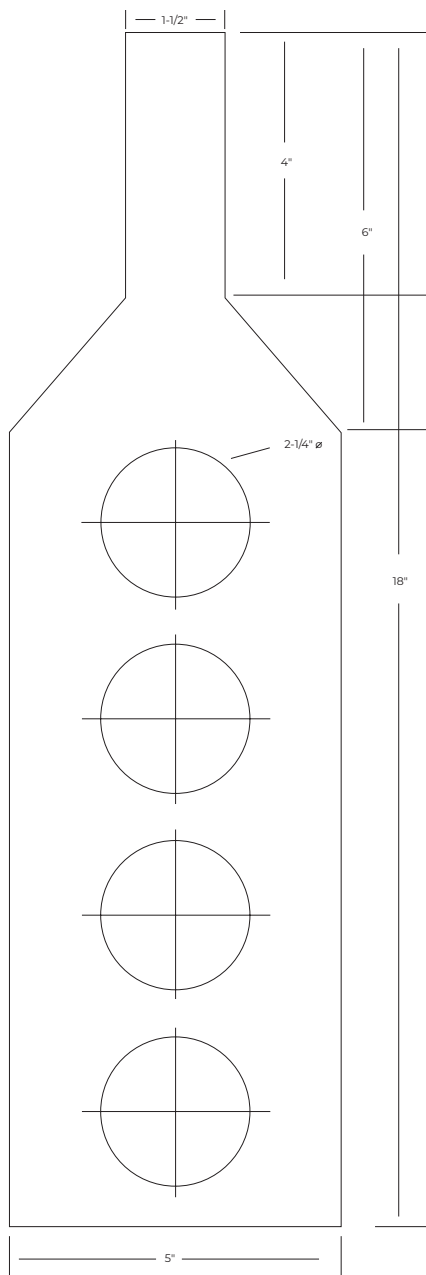




SIMPLE

Beer Flight Template

Paint and decorate as you choose. We highly recommend using a drill press with this project, to keep the holes stright. You can use any type of wood for this project, hardwood would be recommended. Full Size template is on page two. You may have to print the template on two sheets of paper and tape together.



Tools & Materials:

- Drill Press
- 2-1/4" Forstner Bit
- Glue Stick
- Center Punch
- Band Saw or Jig Saw
- Spindle Sander

Build Instructions:

1. Cut out full size template and paste to workpiece in desired position.
2. Use a center punch on each hole to help align your drill bit when drilling.
3. Drill each hole to about a depth of 1/4".
4. Scrape or sand off remaining template paper.
5. Use a spindle sander to hone in a more rounded shape.
6. Finish as desired.

