

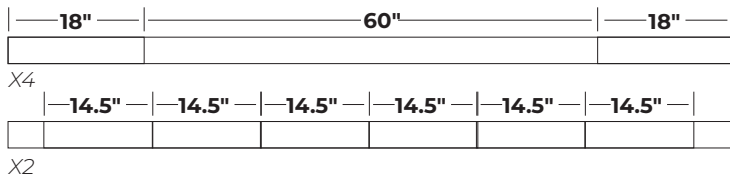


BOX JOINT

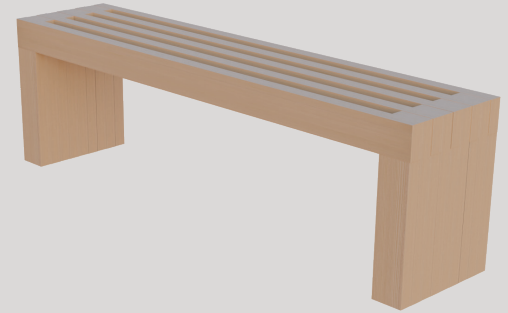
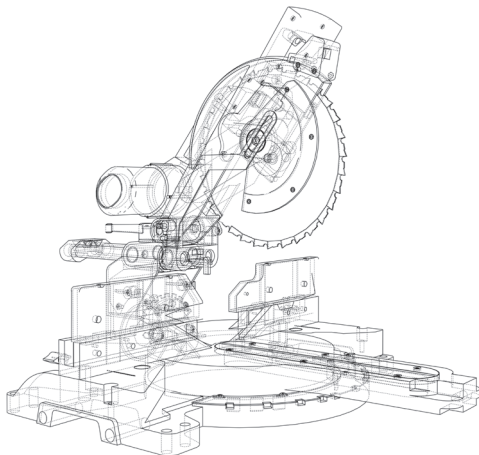
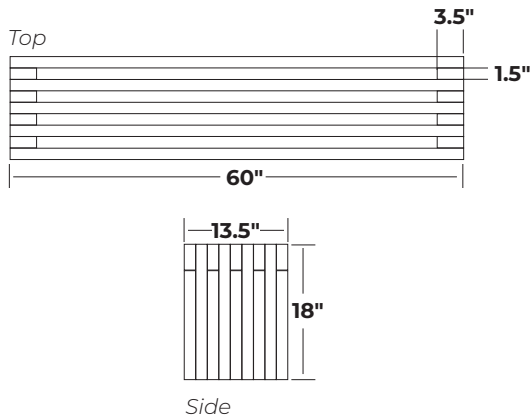
Bench

Built with just 2x4 lumber and glue. This simple bench looks great and can be built by just about anyone. Best finished with a clear exterior rated coating.

Cut Diagram



Views



Tools:

- Miter saw
- Table saw (optional)
- Tape Measure
- Pencil
- Clamps
- Square

Materials List:

Material	Quantity
2x4x8' Red or Yellow Cedar	6 Boards
Titebond III Wood Glue	1 Bottle <i>Can be used on additional projects</i>

Build Instructions:

1. Start by working on a level surface. Doing your gluing on something flat and level will help keep things aligned.
2. Cut boards into sections as per the cut diagram.
3. Optionally, with the table saw, you can trim of the rounded edges of the boards for a more square appearance.
4. Starting with one leg, alternate gluing the short 14.5" pieces to the 18" pieces. Being careful to keep all the pieces square and lined up.
5. Repeat for the second leg.
6. Once the glue has dried on the legs, glue the 60" pieces between the spaces on the legs. Clamp and let dry.
7. Once the glue has dried the bench can be sanded and finished.